

内置BOOST升压的2×5.5W立体声音频功率放大器

■ 特点

- 防削顶失真功能(Anti-Clipping Function, ACF)
- 免滤波器数字调制, 直接驱动扬声器
- 输出功率

$2 \times 5.5W (V_{BAT} = 4V, PVDD = 7V, R_L = 4\Omega,$

THD+N=10%)

- 电源

-升压输入 V_{BAT} : 2.5V至5.5V

-升压输出 $PVDD$: V_{BAT} 至7.0V

- BOOST输出电压可调
- AB/D类切换
- 过流/过热/欠压异常保护功能
- 无铅封装, SOP16L-PP

芯片料号	内置输入电阻 R_{IN}	工作模式
HT8699RSPEX	17.8K ohm	D类和AB类
HT8699B6SPEX	10 ohm	D类

■ 概述

HT8699是一款内置BOOST升压模块的立体声音频功率放大器。在D类模式下, 内置的BOOST升压模块可通过外置电阻调节升压值, 即使是锂电池供电, 在升压至7V时, 10% THD+N, 4Ω负载条件下, 能连续输出2×5.5W 的功率。

HT8699具有AB类和D类的自由切换功能, 在受到D类功放EMI干扰困扰时, 可随时切换至AB类音频功放模式。

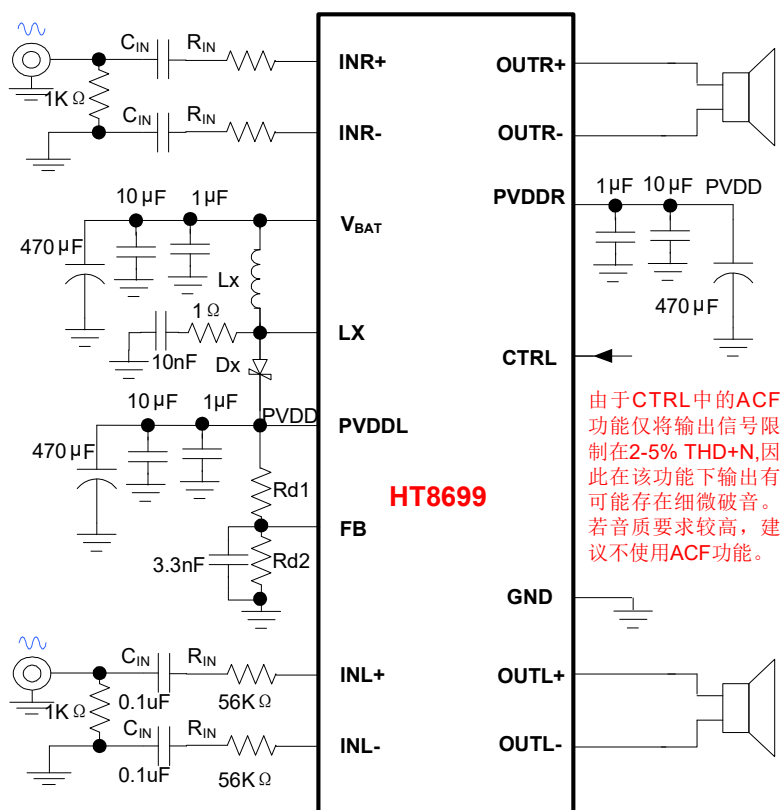
HT8699内部集成免滤波器数字调制技术, 能够直接驱动扬声器, 并最大程度减小脉冲输出信号的失真和噪音。输出无需滤波网络, 极少的外部元器件节省了系统空间和成本, 是便携式应用的理想选择。

此外, HT8699内置的关断功能使待机电流最小化, 还集成了输出端过流保护、片内过温保护和电源欠压异常保护等功能。

■ 应用

- 蓝牙音箱
- 便携式音箱
- 2.1声道小音箱
- 扩音器
- iphone/ipod/ipod docking
- 便携式游戏机

■ 典型应用图



2 × 5.5W Stereo Audio Amplifier with Boost Converter

■ FEATURE

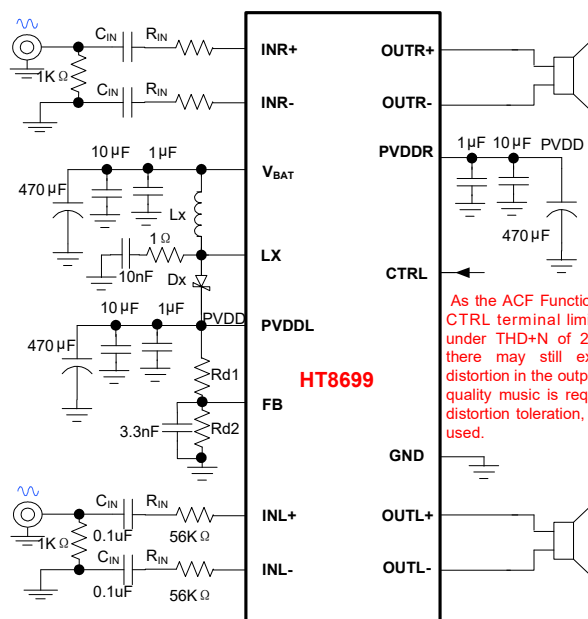
- Anti-Clipping Function (ACF)
- Filter-less Modulation, Eliminating Output Filter
- Output Power
 $2 \times 5.5W (V_{BAT}=4V, PVDD = 7V, R_L=4\Omega, THD+N=10\%)$
- -BOOST Input V_{BAT} : 2.5V to 5.5V
 -BOOST Output PVDD: V_{BAT} to 7.5V
- Adjustable BOOST Output Voltage
- Class AB /Class D available
- Thermal Protection, Over current protection, Low voltage malfunction prevention function included
- Pb-Free Packages, SOP16L-PP

Part No.	Internal Resistor R_{IN}	Working Mode
HT8699RSPEX	17.8K ohm	Class D & Class AB
HT8699B6SPEX	10 ohm	Class D

■ APPLICATIONS

- Bluetooth Speakers
- Portable Speakers
- iPhone/iPod/iPod docking
- Megaphone

■ 典型应用图



■ GENERAL DESCRIPTION

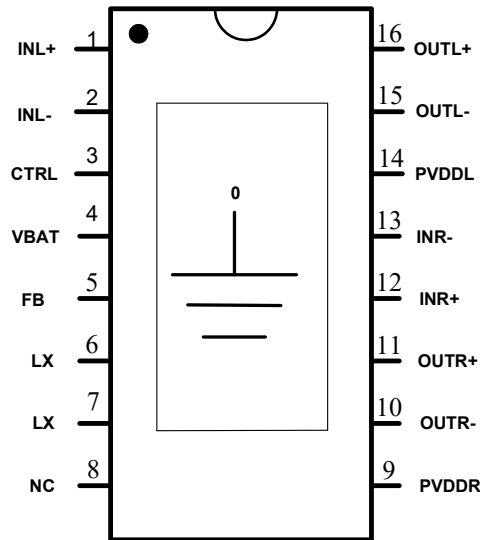
HT8699 integrates a boost converter with a filter-less stereo class D audio power amplifier to provide $2 \times 5.5W$ continuous power into a 4Ω speaker when operating from a Li-battery voltage boosted to 7V. Meanwhile, the boost output voltage is adjustable.

Class AB amplifier mode is also available for HT8699. Once the EMI Interference from class D and Boost Converter becomes an annoying problem, HT8699 can be switched into Class AB mode.

HT8699 has a filter-less modulation circuit which directly drives speakers while realizes low distortion and low noise characteristics. Thanks to filter-less, circuit design with fewer external parts can be made in portable applications.

HT8699 has the independent Shutdown function which can minimize the power consumption at standby and MUTE function. As for protection function, over current protection, over temperature protection function, and low supply voltage malfunction preventing function are also prepared.

■ TERMINAL CONFIGURATION



SOP16L-PP Top View

■ TERMINAL FUNCTION¹

Terminal No.	Name	I/O	ESD Protection	Function
0	GND	GND	-	Power Ground. Do connect to the system Ground.
1	INL+	I	PN	Left channel positive input (differential +)
2	INL-	I	PN	Left channel negative input (differential -)
3	CTRL	I	PN	Shutdown and ACF control terminal
4	V _{BAT}	Power	PN	Logic Power Supply
5	FB	I	PN	Regulator Feedback Input
6,7	LX	I	-	Internal Switch Input
8	NC			No connection. Connect to GND for better thermal performance
9	PVDDR	Power	-	Boost Converter Output Voltage, Power Supply for Class D Right Channel
10	OTR-	O	-	Right channel negative output (BTL-)
11	OTR+	O		Right channel positive output (BTL+)
12	INR+	I	PN	Right channel positive input (differential +)
13	INR-	I	PN	Right channel negative input (differential -)
14	PVDDL	Power	-	Boost Converter Output Voltage, Power Supply for Class D Left Channel
15	OTRL-	O	-	Left channel negative output (BTL-)
16	OTRL+	O		Left channel positive output (BTL+)

¹ I: Input O: Output

ORDERING INFORMATION

Part Number	Available Working Mode	Internal Input Resistor R_{IN} ¹	Package Type	Marking	Operating Temperature Range	MOQ/Shipping Package
HT8699RSPER	Class AB & Class D	17.8k ohm	SOP16L-PP	HT8699R _{SP}	-40°C~85°C	Tube / 50 PCS
HT8699RSPET	Class AB & Class D	17.8k ohm	SOP16L-PP	HT8699R _{SP}	-40°C~85°C	Tape and Reel 2500PCS
HT8699B6SPET	Class D	10ohm	SOP16L-PP	HT8699 _{SP}	-40°C~85°C	Tube / 50 PCS
HT8699B6SPER	Class D	10ohm	SOP16L-PP	HT8699 _{SP}	-40°C~85°C	Tape and Reel 2500PCS

¹ See 错误!未找到引用源。 in Page 12 for detail.

IMPORTANT NOTICE

注意

Jiaxing Heroic Electronic Technology Co., Ltd (HT) reserves the right to make corrections, modifications, enhancements, improvements, and other changes to its products and services at any time and to discontinue any products or services. Customers should obtain the latest relevant information before placing orders and should verify that such information is current and complete.

嘉兴禾润电子科技有限公司（以下简称HT）保留对产品、服务、文档的任何修改、更正、提高、改善和其他改变，或停止提供任何产品和服务的权利。客户在下单和生产前应确保所得到的信息是最新、最完整的。

HT assumes no liability for applications assistance or customer product design. Customers are responsible for their products and applications using HT components.

HT对相关应用的说明和协助以及客户产品的板级设计不承担任何责任。

HT products are not authorized for use in safety-critical applications (such as life support devices or systems) where a failure of the HT product would reasonably be expected to affect the safety or effectiveness of that devices or systems.

HT的产品并未授权用于诸如生命维持设备等安全性极高的应用中。

The information included herein is believed to be accurate and reliable. However, HT assumes no responsibility for its use; nor for any infringement of patents or other rights of third parties which may result from its use.

本文中的相关信息是精确和可靠的，但HT并不对其负责，也不对任何可能的专利和第三方权利的侵害负责。

Following are URLs and contacts where you can obtain information or supports on any HT products and application solutions:

下面是可以联系到我公司的相关链接和联系方式：

嘉兴禾润电子科技有限公司

Jiaxing Heroic Electronic Technology Co., Ltd.

地址：浙江省嘉兴市凌公塘路3339号JRC大厦A座三层

Add: A 3rd floor, JRC Building, No. 3339, LingGongTang Road, Jiaxing, Zhejiang Province

Sales: 0573-82585539, sales@heroic.com.cn

Support: 0573-82586151, support@heroic.com.cn

Fax: 0573-82585078

Website: www.heroic.com.cn; wap.heroic.com.cn

Wechat MP: HEROIC_JX

请及时关注禾润官方微信公众号，随时获取最新产品信息和技术资料！

